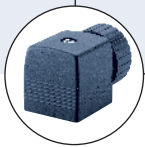


2/2-way Solenoid Valve for aggressive media, true union, Ø20-63

- Isolating diaphragm between the solenoid and fluid
- Non-metallic valve internals
- Pivoted armature, with lockable manual override
- Simple installation and removal

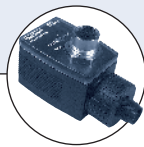
Type 0142 can be combined with...



Type 2508
Cable plug



Type 1078
Timer unit

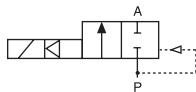


Type 2511/12
ASI cable plug

Servo-assisted solenoid valve with diaphragm, normally closed function. Hermetic isolation of fluid from the actuator. A minimum differential pressure of 7 PSI is required to fully open the valve.

Valves can be mounted or removed radially for a space-saving installation.

Circuit function A



2/2- way valve, normally closed, with 3-way pilot servo-assistance

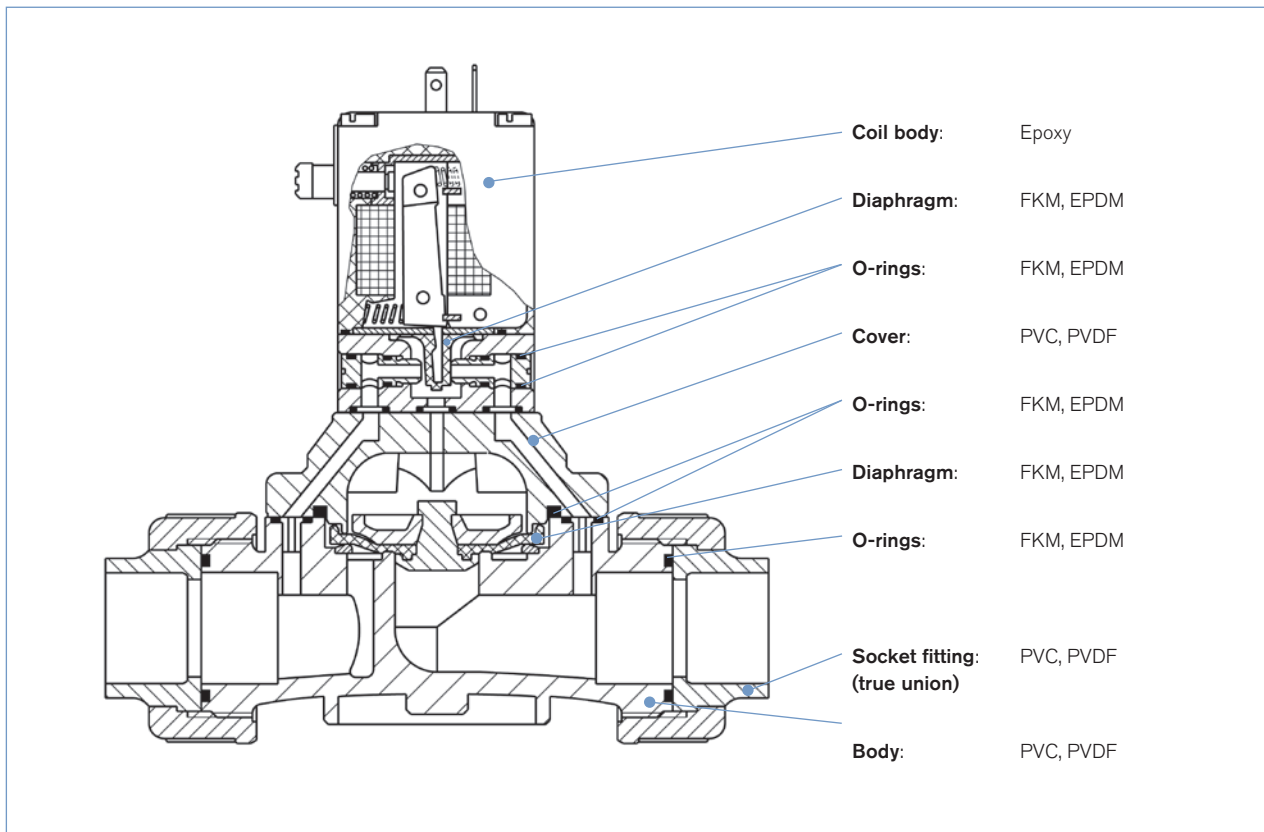
| Technical data | |
|---|--|
| Orifice | DN 15 - 50 |
| Body material | PVC, PVDF (on request) |
| Inner part valve | PVDF |
| Seal material | FKM, EPDM |
| Media with EPDM with FKM | Alkalis, alkaline washing and bleaching lyes Oxydizing acids and substances, salt solutions |
| Media temperature PVC-body PVDF-body | 32°F to 122°F (0°C to +50°C) 32°F to 158°F (0°C to +70°C) |
| Ambient temperature PVC-body PVDF-body | 32°F to 104°F (0°C to +40°C) 32°F to 131°F (0°C to +55°C) |
| Voltage tolerance | ±10% |
| Duty cycle | 100% continuous rating |
| Electrical connection | Cable plug for Ø 7 mm acc. to DIN EN 175301-803 Form A (supplied as standard) |
| Protection class | IP 65 with cable plug |
| Coil insulation class | Class H |
| Port connection | True union |
| Installation | as required, preferably with actuator upright |

| Power consumption | | | |
|-------------------|--------|-----------------|--------|
| Inrush | | Hold (hot coil) | |
| AC [VA] | DC [W] | AC [VA/W] | DC [W] |
| 20 | 5 | 11/5 | 5 |

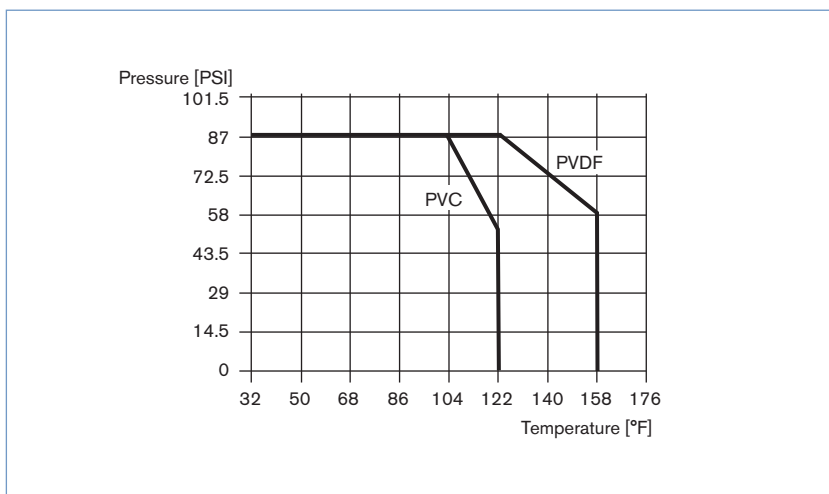
| Response times ¹⁾ | |
|------------------------------|-------------|
| Opening [ms] | 100 - 800 |
| Closing [ms] | 1000 - 4000 |

¹⁾ Measured at valve outlet at 87 PSI and 68°F (+20°C) acc. to ISO 12238.
Opening: Pressure rise 0 to 90%, Closing: Pressure drop 100 to 10%

Materials



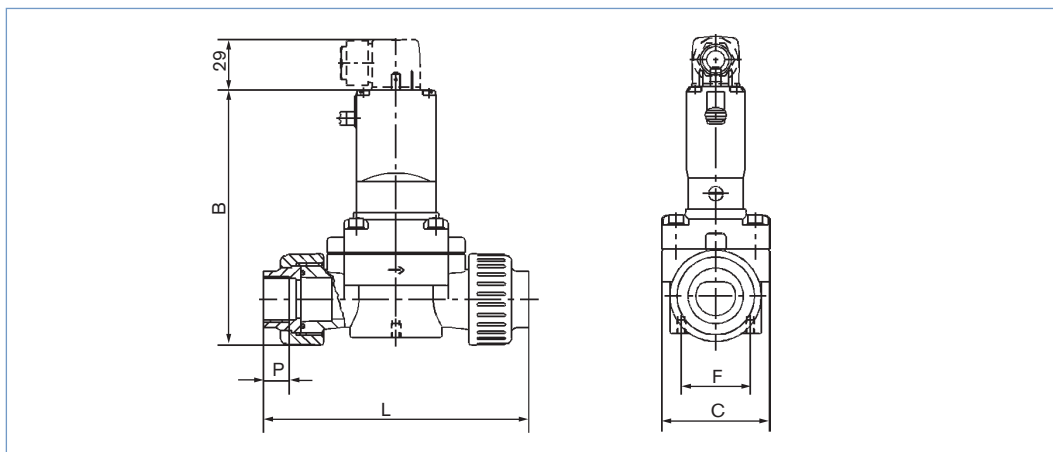
Pressure-Temperature-chart for PVC and PVDF



Ordering chart

| Circuit | Pressure Range [PSI] | Body Material | Seal Material | Port Connection | Orifice Value Size [inch] | C _v [gpm] | Voltage/Frequency | Item no. |
|---------|----------------------|---------------|---------------|-----------------|---------------------------|----------------------|-------------------|----------|
| A | 7-87 | PVC | EPDM | 1/2" | 9/16" | 5.8 | 24/DC | 453 994 |
| | | | | | | | 24/60 | 454 302 |
| | | | | | | | 120/60 | 453 349 |
| | | | | | | | 240/60 | 457 214 |
| | | | | 3/4" | 3/4" | 7.0 | 24/DC | 453 988 |
| | | | | | | | 24/60 | 453 987 |
| | | | | | | | 120/60 | 453 350 |
| | | | | | | | 240/60 | US01215 |
| | | | | 1" | 1" | 16.3 | 24/DC | 454 004 |
| | | | | | | | 24/60 | US00569 |
| | | | | | | | 120/60 | 453 351 |
| | | | | | | | 240/60 | 456 283 |
| | | | | 1 1/4" | 1 1/4" | 18.6 | 24/DC | US06217 |
| | | | | | | | 120/60 | 454 102 |
| | | | | | | | 240/60 | US00283 |
| | | | | 1 1/2" | 1 1/2" | 35.0 | 24/DC | US00165 |
| | | | | | | | 24/60 | US01068 |
| | | | | | | | 120/60 | 453 352 |
| | | | | | | | 240/60 | US01055 |
| | | | | 2" | 2" | 41.9 | 24/DC | US01634 |
| | | | | | | | 24/60 | US00574 |
| | | | | | | | 120/60 | 453 353 |
| | | | | | | | 240/60 | US01454 |
| | | | | FKM | 1/2" | 9/16" | 5.8 | 24/DC |
| | | | 120/60 | | | | | 454 146 |
| | | | 240/60 | | | | | US06525 |
| | | | 24/DC | | | | | US02219 |
| | | | 3/4" | | 3/4" | 7.0 | 120/60 | 453 964 |
| | | | | | | | 24/DC | 455 566 |
| | | | | | | | 120/60 | 455 024 |
| | | | | | | | 24/DC | US05647 |
| | | | 1" | | 1" | 16.3 | 24/DC | US05647 |
| | | | | | | | 120/60 | 454 247 |
| | | | | | | | 24/DC | US05260 |
| | | | | | | | 120/60 | 454 232 |
| | | | 1 1/4" | 1 1/4" | 18.6 | 24/DC | 454 232 | |
| | | | | | | 120/60 | 454 232 | |
| | | | | | | 24/DC | 454 232 | |
| | | | | | | 120/60 | 454 232 | |
| | | | 1 1/2" | 1 1/2" | 35.0 | 24/DC | 454 232 | |
| | | | | | | 120/60 | 454 232 | |
| | | | | | | 24/DC | 454 232 | |
| | | | | | | 120/60 | 454 232 | |
| | | | 2" | 2" | 41.9 | 120/60 | 454 705 | |
| | | | | | | 24/DC | 454 909 | |
| | | | | | | 120/60 | 457 922 | |
| | | | | | | 24/DC | 088 655 | |
| | | | PVDF | 7-87 | PVC | EPDM | 20mm | 9/16" |
| 120/60 | 457 922 | | | | | | | |
| 25mm | 3/4" | 7.0 | | | | | 24/DC | 088 655 |
| | | | | | | | 120/60 | US01997 |
| 31mm | 1" | 16.3 | | | | | 120/60 | 123 844 |
| | | | | | | | 120/60 | US05588 |
| 50mm | 1 1/2" | 35.0 | | | | 120/60 | US05588 | |
| | | | | | | 120/60 | US05590 | |
| 63mm | 2" | 41.9 | | | | 120/60 | US05590 | |
| | | | | | | 120/60 | US05590 | |
| FKM | 20mm | 9/16" | | | | 5.8 | 24/DC | 088 662 |
| | | | | | | | 24/60 | US06442 |
| | 25mm | 3/4" | 7.0 | 24/DC | 088 661 | | | |
| | | | | 24/60 | 150 496 | | | |
| | 31mm | 1" | 16.3 | 120/60 | 126 550 | | | |
| | | | | 24/DC | 089 941 | | | |
| 40mm | 1 1/4" | 18.6 | 120/60 | US04203 | | | | |
| | | | 24/DC | 089 946 | | | | |
| 50mm | 1 1/2" | 35.0 | 120/60 | 138 766 | | | | |
| | | | 120/60 | 126 549 | | | | |
| 63mm | 2" | 41.9 | 120/60 | 126 549 | | | | |
| | | | 120/60 | 126 549 | | | | |
| B | 7-87 | PVC | EPDM | 1/2" | 9/16" | 5.8 | 24/60 | US05208 |
| | | | | | | | 24/DC | US01961 |
| | | | | 3/4" | 3/4" | 7.0 | 120/60 | US00134 |
| | | | | | | | 24/DC | US02490 |
| | | | | 1" | 1" | 16.3 | 120/60 | US03687 |
| | | | | | | | 24/DC | US07088 |
| | | | | 1 1/4" | 1 1/4" | 18.6 | 120/60 | US07088 |
| | | | | | | | 240/60 | US01600 |
| | | | | 1 1/2" | 1 1/2" | 35.0 | 120/60 | US00147 |
| | | | | | | | 120/60 | US01648 |
| | | | | 2" | 2" | 41.9 | 120/60 | US01648 |
| | | | | | | | 120/60 | US01648 |
| | | | FKM | 3/4" | 3/4" | 7.0 | 120/60 | US06523 |
| | | | | | | | 120/60 | US01483 |
| | | | | 1" | 1" | 16.3 | 120/60 | US01483 |
| | | | | | | | 120/60 | US05718 |
| | | | | 1 1/4" | 1 1/4" | 18.6 | 120/60 | US05718 |
| | | | | | | | 120/60 | US05344 |
| 1 1/2" | 1 1/2" | 35.0 | 120/60 | US05344 | | | | |
| | | | 120/60 | 453 594 | | | | |

Dimensions [mm]



| All versions | | | | | PVC-body | | PVDF-body | |
|--------------|--------|-------|------|------|----------|----|-----------|----|
| DN | Pipe Ø | B | C | F | L | P | L | P |
| 15 | 20 | 148 | 62.5 | 40 | 148 | 16 | 147 | 16 |
| 20 | 25 | 148 | 62.5 | 40 | 154 | 19 | 151 | 18 |
| 25 | 32 | 174.5 | 85 | 44.5 | 190 | 22 | 185 | 20 |
| 32 | 40 | 174.5 | 85 | 44.5 | 198 | 26 | 189 | 22 |
| 40 | 50 | 212 | 115 | 44.5 | 254 | 31 | 245 | 25 |
| 50 | 63 | 212 | 115 | 44.5 | 268 | 38 | 253 | 29 |